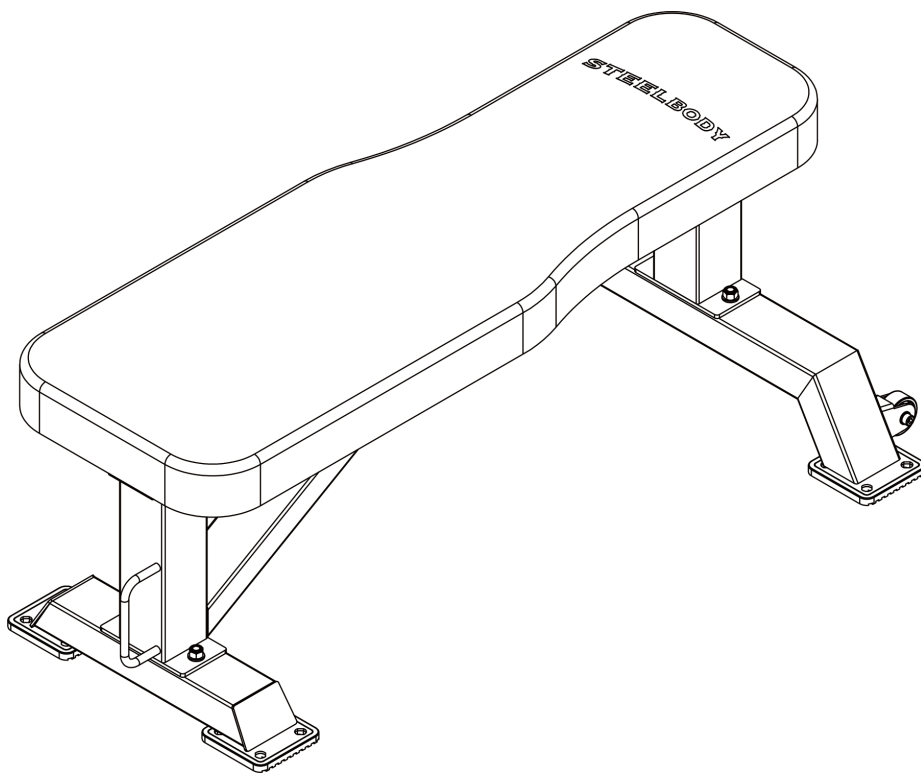


# STEELBODY

## FLAT BENCH

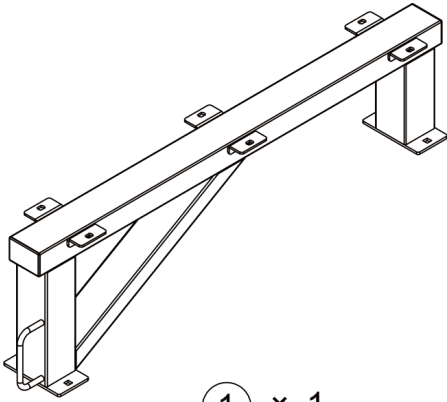
STB-10101



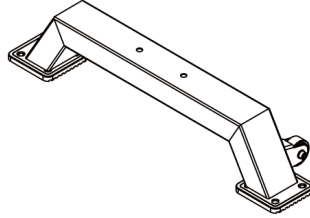
**IMPORTANT:** Please read the Important Safety Notice and Assembly Information in the Owner's manual before assembling this product.

**Assembly Manual**

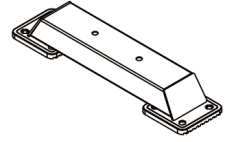
221010



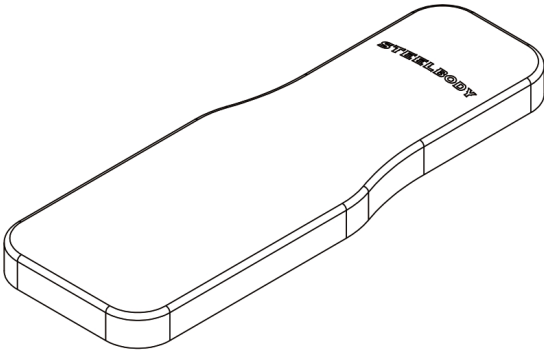
① × 1



② × 1



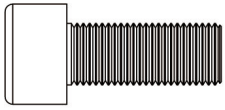
③ × 1



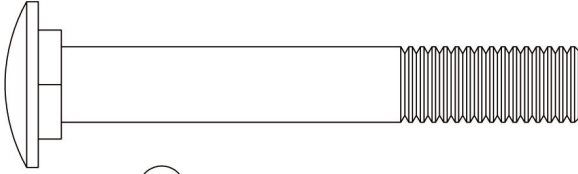
④ × 1



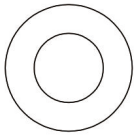
⑥ × 2



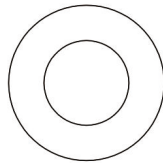
⑨ ×6



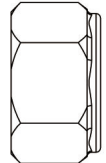
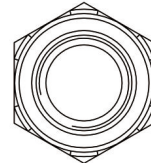
⑪ ×4



⑫ ×6



⑬ ×4

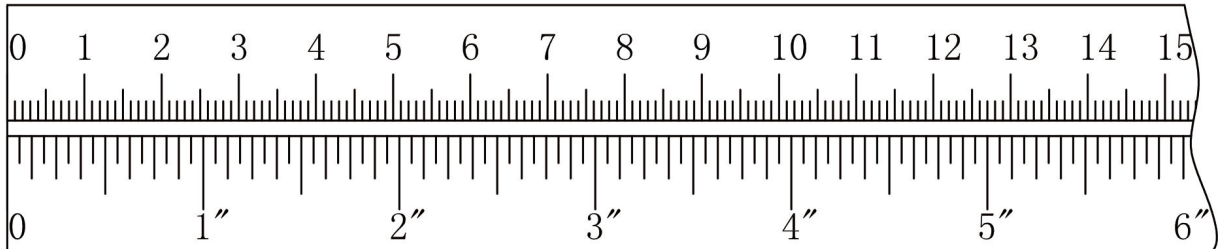


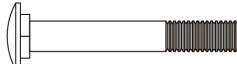




⑮ ×4

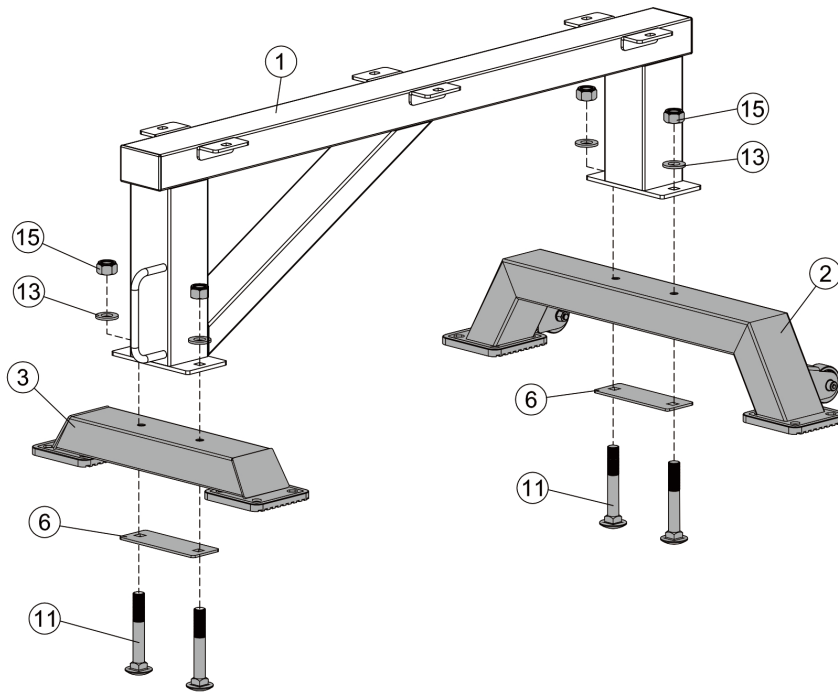
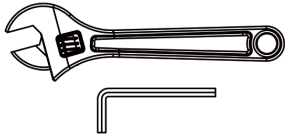


6#×1

mm



- (11)  ×4 M10×2 3/4"      (15)   ×4 M10  
 (13)   ×4 Φ 3/4"



1

9

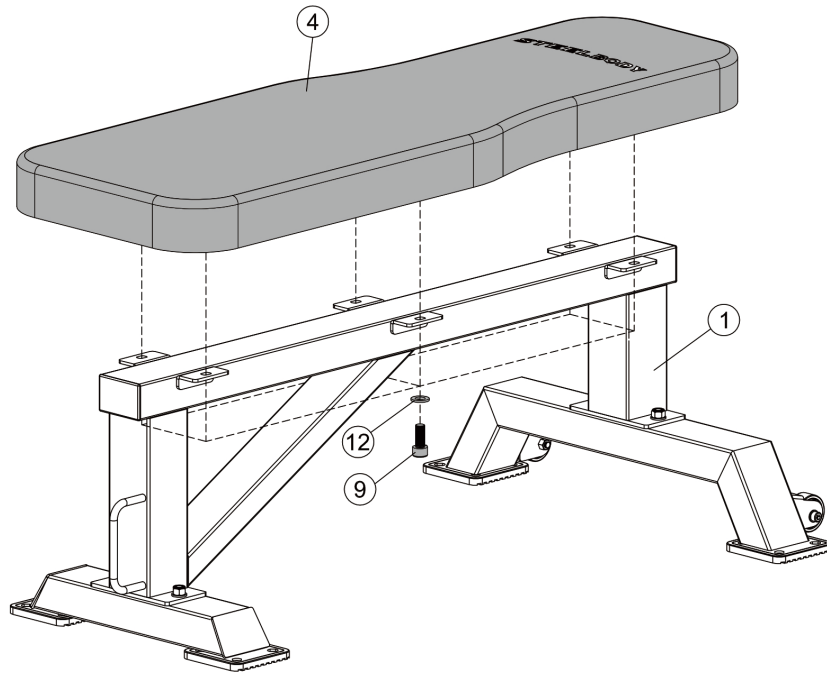
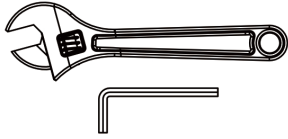


x6 M8x 3/4"

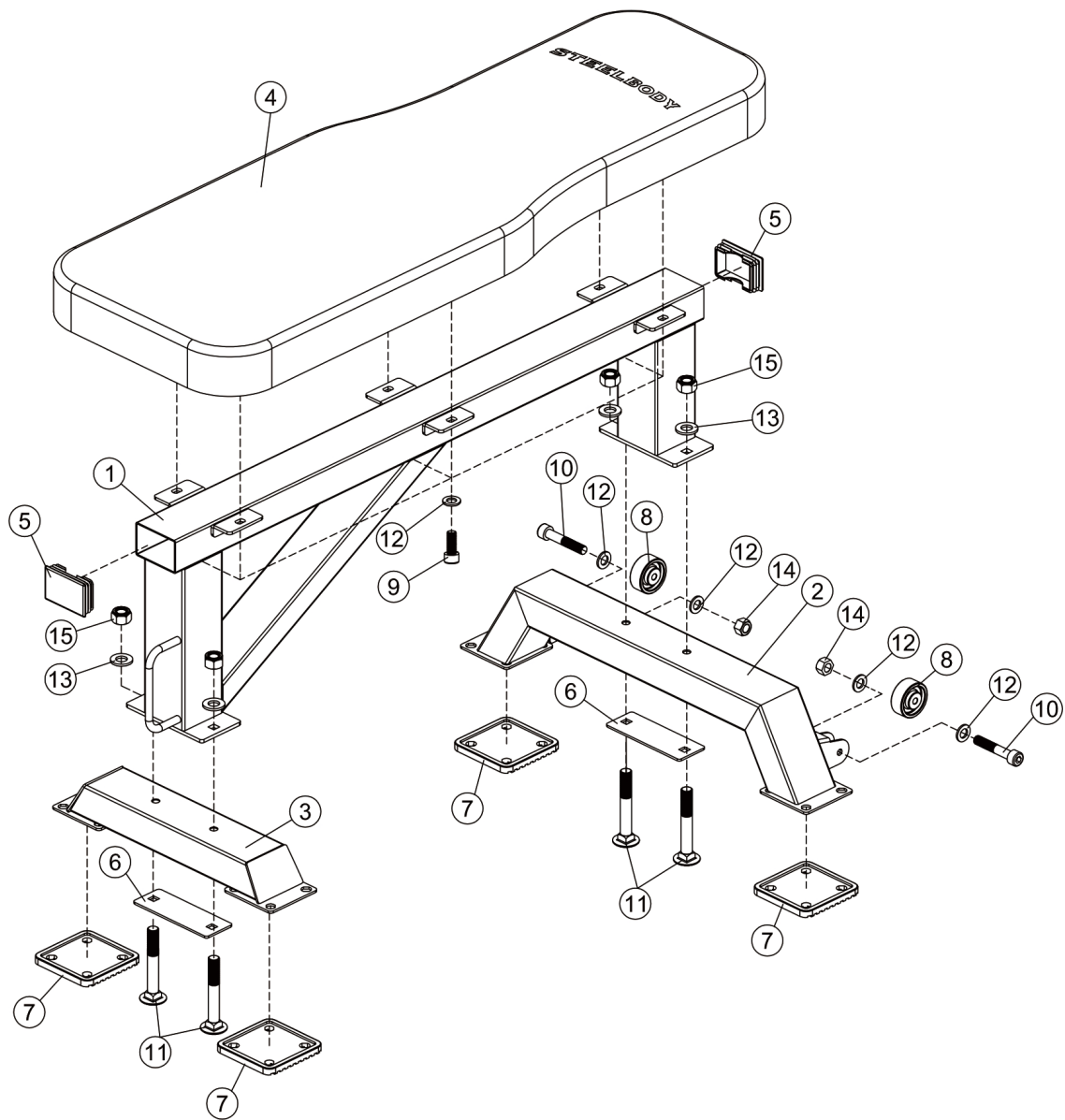
12



x6 Φ 5/8"



2



**IMPEX® INC.**

2801 S. Towne Ave, Pomona, CA 91766

Tel: (800) 999-8899 Fax: (626) 961-9966

[www.marcypro.com](http://www.marcypro.com)

[support@impex-fitness.com](mailto:support@impex-fitness.com)